

Technical Bulletin

Bulletin Number: 476 Revision Number: R-001

Release Date: December 27, 1994 Revision Date: February 29, 1996

SUBJECT: MISCELLANEOUS WORLDWIDE RETURNABLE GLASS SHIMMING IN T-MODELS

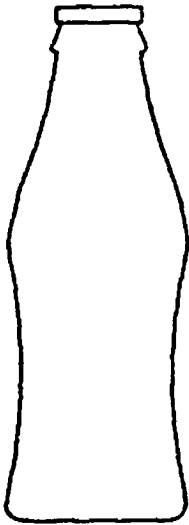
MODELS AFFECTED: All T-model venders.

REASON: To provide the shimming and set-up of various returnable glass bottles used worldwide.

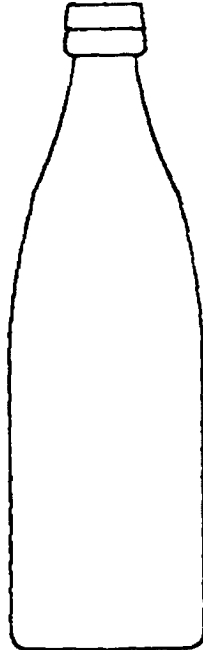
BULLETIN INDEX

- A) Package Shape Illustrations Page 2
- B) Package Dimensions Page 2
- C) Part Illustrations Pages 3 & 4
- D) Shimming and Set-Up Chart for Series 90..... Page A1
T-Model Venders Serialized 0001-3176AO and Up
- E) Individual Column Set-Up and Shimming for Pages B1 & B2
Series 90 T-Model Venders Serialized 0001-3176AO and Up

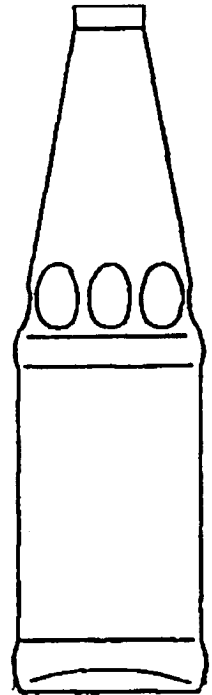
PACKAGE SHAPES



1



2



3

PACKAGE DIMENSIONS

Description	Package Size	Country/ Township	Shape	Height		Diameter	
				Inches	(mm)	Inches	(mm)
Fanta	330 ml	Germany	3	9.54"	(242.3)	2.45"	(62.2)
Fanta	500 ml	Germany	3	11.14"	(283.0)	2.71"	(68.8)
Beer "New"	500 ml	Germany	2	10.24"	(260.1)	2.67"	(67.8)
Coca-Cola	500 ml	Norway	1	11.10"	(281.9)	2.71"	(68.8)

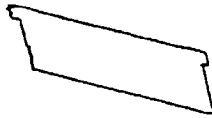
PART ILLUSTRATIONS

1. Where the symbols *, + and @ are used refer to the following: **(Use plastic tubes only where called out.)**
 - * Where the symbol * appears on the shim chart, place the 10-3/4" long (9/32"ID, 3/8"OD) yellow plastic tube over the rod.
 - + Where the symbol + appears on the shim chart, place the 10-3/4" long (9/32"ID, 7/16"OD) red plastic tube over
 - @ Where the symbol @ appears on the shim chart, place the 10-3/4" long (9/32"ID, 17/32"OD) white plastic tube over the rod.

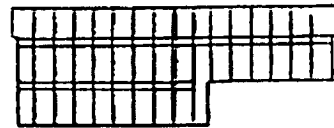
 2. Where **REAR A/FRONT C** appears on the shim chart, this means the rod is installed (spring end first) in hole "A" at the rear of the rotor and the front end of the same rod is installed in hole "C".
-



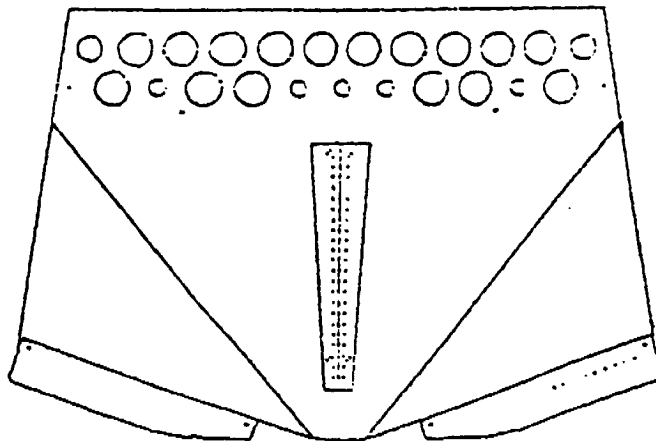
Flat Shim
801,901,860.21



Flat Metal Shim
361,010,070.03



Right Ribbed Shim 801,804,890.21 (not shown)
Left Ribbed Shim 801,804,900.21 (shown)



Chute Divider
324,000,200.03
324,000,300.03

Bottle Neck Stop Installation:

1. Place the bottle neck stop on the back side of the can/bottle chute support.
2. Align the holes in the chute support and the bottle neck stop.
3. Secure with two (2) pop rivets.
4. See figures 1 and 2 below.

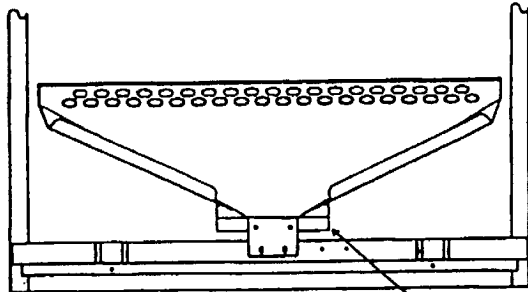
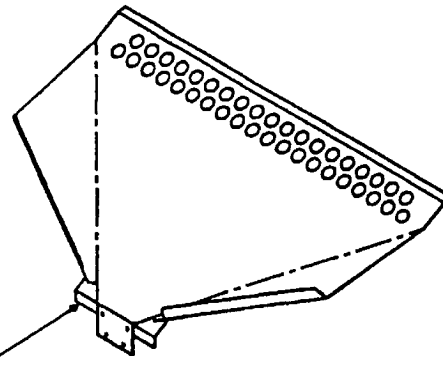


Figure 1



bottle neck stop

Figure 2

Extended Discharge Member instructions:

1. Remove the nuts and bolts securing the discharge member to the delivery port.
2. Remove existing discharge member.
3. Install extended discharge member so holes B & D (see figure 3A or 3B) line up with the back holes in the delivery port (see figure 4).
4. Figure 4 shows what the set-up should now look like.
5. Secure with the nuts and bolts removed in step 1.

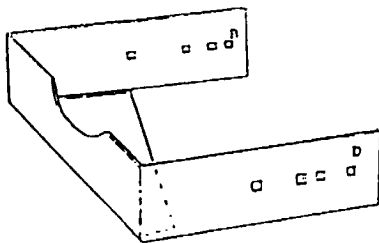


Figure 3A

Extended Discharge Member Narrow
493,051,100.04

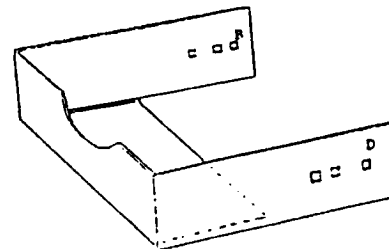


Figure 3B

Extended Discharge Member Wide

491,051,700.04- for wide Coke Landscape, Pepsi Magnum
Circular, & Generic Circular venders

491,051,900.04- for all Full Length Sign Flat & Display Venders

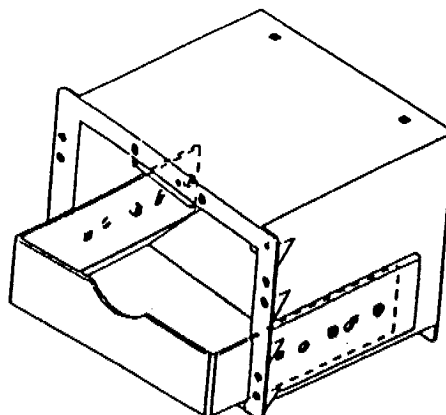


Figure 4

Use This Chart To "Set-Up" and "Shim" the "T-MODEL" Vender.
 Series 90, Beginning S/N 0001-3176AO and UP.

RETURNABLE GLASS BOTTLES

Wide Columns							All Columns	Narrow Columns					
PACKAGE DESCRIPTION & VENDERS APPROVED	SEE PAGE(S)	COUNTRY	LOADING DEPTH	PARTS PER COLUMN	CAM SETTING	CAM(S) REQ'D	REAR SPACER LOCATION	LOADING DEPTH	PARTS REQ'D PER COLUMN	ROD IN	ROD IN	CAM SETTING	OTHER PARTS
330 ml Glass Returnable Fanta Bottle in Models 522T	2, 3, & B1	Germany	1	2 ribbed shims right & left 2 flat shims right & left	2 notches	blue/gold	Hole 9	NA	NA	NA	NA	NA	can/bottle chute
500 ml Glass Returnable Fanta Bottle in Model 522T	2, 3, 4, & B1	Germany	1	2 ribbed shims left & right	2 notches	blue/gold	Hole 14	NA	NA	NA	NA	NA	bottle neck stop, extended discharge member
500 ml Glass Returnable Beer (New Design) Bottle in Model 501T	2, 3, 4, & B1	Germany	1	2 ribbed shims right & left	2 notches	blue/gold	Hole 10	1	1 rotor, wide	Front C+ Rear A	-	#4	extended discharge member
500 ml Glass Returnable Coca-Cola Bottle in Models 522T and 600T	2, 3, 4, & B2	Norway	1	ribbed shim right & left flat black shim right & left	2 notches	blue/gold	Hole 13	-	WILL NOT VEND	-	-	-	chute divider, bottle neck stop, extended discharge member

NA = Not Applicable

*, +, @ see page 3.

**INDIVIDUAL COLUMN SET-UP & SHIMMING
SERIES 90 T-MODELS SERIALIZED
0001-3176AO and UP**

330 ml Glass Returnable Fanta Bottle (Germany) (In model 522T)

Wide Column Set-Up 1 deep

2 - 801,804,890.21	ribbed shim, right (close to wall)
2 - 801,804,900.21	ribbed shim, left (close to wall)
2 - 361,010,070.03	flat metal shim
2 - 801,901,860.01	flat black shim (Important: Install next to bottle with narrow end of shim to the rear of the vender)
1 - 801,806,390.41	vending cam, blue
1 - 804,806,400.11	adjustable cam, gold
1 - 324,000,300.03	can/bottle chute assembly (1 per vender)

Cam setting #1 or 2 notches.

Rear spacer set in hole #9.

SET DISCHARGE MEMBER AND CLOSURE STRIP FOR BOTTLES.

500 ml Glass Returnable Fanta Bottle (Germany) (In model 522T)

Wide Column Set-Up 1 deep

2 - 801,804,890.21	ribbed shim, right
2 - 801,804,900.21	ribbed shim, left
1 - 432,010,760.03	bottle neck stop (1 per vender)
1 - 801,806,390.41	vending cam, blue
1 - 801,806,400.11	adjustable cam, gold
1 - see list below	extended discharge member (1 per vender)
491,051,700.04	for Wide Coke Circular & Generic Circular venders

or

491,051,900.04 for Full Length Sign and Display venders

Cam setting #1 or 2 notches.

Rear spacer set in hole #14.

SET CLOSURE STRIP FOR BOTTLES.

500 ml Glass Returnable Beer (New Design) Bottle (Germany) (In model 501T)

Wide Column Set-Up 1 deep

2 - 801,804,900.21	ribbed shim, left
2 - 801,804,890.21	ribbed shim, right
1 - 801,806,390.41	vending cam, blue
1 - 801,806,400.11	adjustable cam, gold
1 - see list below	extended discharge member (1 per vender)
491,051,700.04	for Wide Coke Circular & Generic Circular venders

or

491,051,900.04 for Full Length Sign and Display venders

Cam setting #1 or 2 notches.

Rear spacer set in hole #10.

Narrow Column Set-Up 1 deep

1 - 801,201,220.01	rotor, wide
1 - 361,010,100.03	rod and spring assembly
1 - 901,902,000.01	red tubing, long
1 - 901,902,600.01	red tubing, short

Place the rod with red tubing in hole C in front and hole A in rear of rotor.

Cam setting #4 or 1 notch.

Rear spacer set in hole #10.

SET CLOSURE STRIP FOR BOTTLES.

500 ml Glass Returnable Coca-Cola Bottle (Norway) (In models 522T and 600T)

Wide Column Set-Up 1 deep

1 - 801,804,890.21	ribbed shim, right
1 - 801,804,900.21	ribbed shim, left
2 - 801,901,860.21	flat black shim (1 each side)
1 - 432,010,760.03	bottle neck stop (1 per vender)
1 - 324,000,200.13	can/bottle chute assembly (1 per vender)
1 - 801,806,390.41	vending cam, blue
1 - 801,806,400.11	adjustable cam, gold
1 - see list below	extended discharge member (1 per vender)
491,051,700.04	for Wide Coke Circular & Generic Circular venders

or

491,051,900.04 for Full Length Sign and Display venders

Cam setting #1 or 2 notches.

Rear spacer set in hole #13.

SET CLOSURE STRIP FOR BOTTLES.

Narrow Column Set-Up

Will Not Vend.